




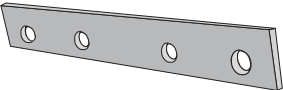
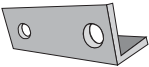

# GRANDIO®

G R E E N H O U S E S

## INTERIOR FRAME TO BASE ANCHOR KIT



### (GP-EZ1-BRACKET) FRAME TO BASE ANCHOR KIT PARTS LIST

IMAGE	PART	NAME	8 PACK	4 PACK
	AFS612/SQ-NUT	M6*12 HEX SOCKET BUTTON SCREW WITH FLANGE & SQUARE NUT	32	16
	EZ1	25 mm x 155 mm BRACE	8	4
	EZ2	25 mm x 25 mm x 75 mm BRACKET	8	4
	ALLEN WRENCH	4MM ALLEN WRENCH	2	1

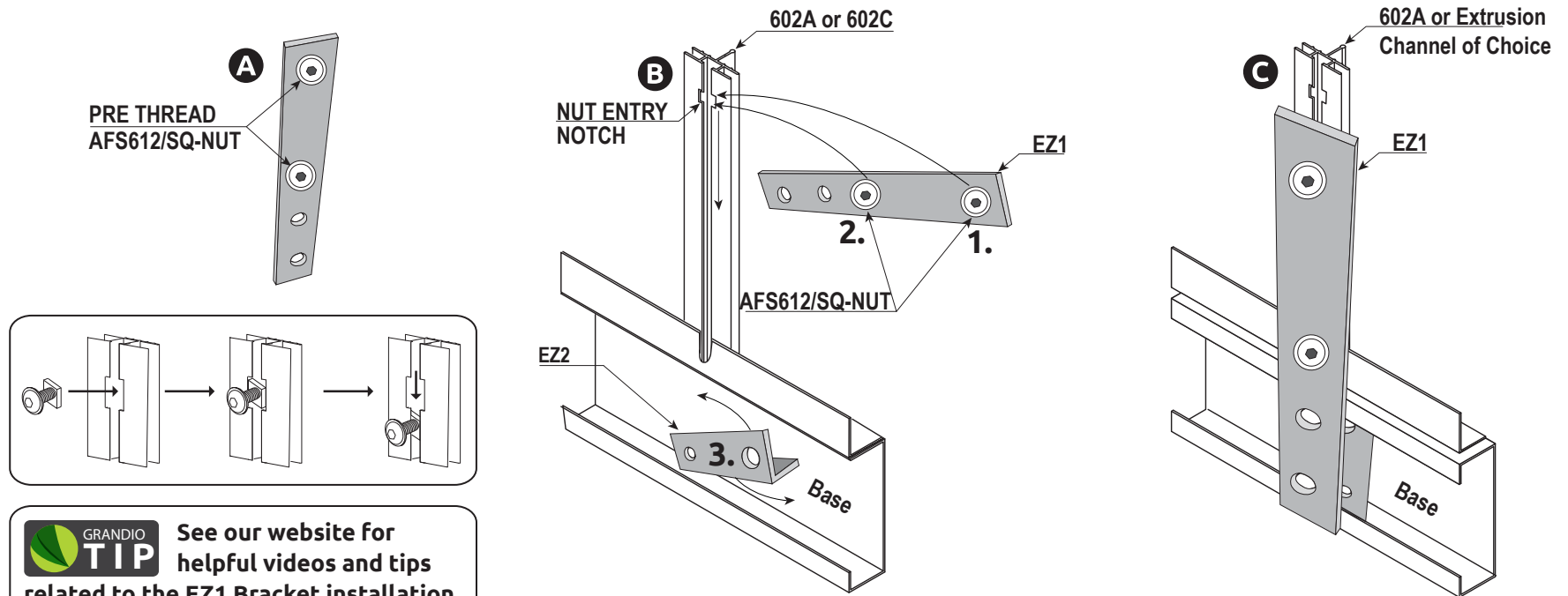
# EZ1 INSTALLATION

**1.1** Pre thread the top two **AFS612/SQ-NUT** combos on the **EZ1**, see **A**.

**1.2** See **B**. Slide **1. AFS612/SQ-NUT** combo into the entry notch to slide into the channel of the **602A** or other extrusion of choice, twist the **EZ1** then slide up the track to align **2. AFS612/SQ-NUT** combo with notch entry of channel. Slide **EZ1** down track to bottom to align with the base see **C**.

**1.3** Slide **EZ2** into the base then twist into place, note the fit will be tight, align with the **EZ1**. See **B 3**.

**1.4** Insert the 2 remaining sets of **AFS612/SQ-NUT** combos so the allen socket hole faces you for tightening. See **C**.  
**Check that all combos are tightened. If this is installed where an L08C-X goes, attach the L08C-X to the front of the EZ1 AFS612/SQ-NUT combo.**



See our website for helpful videos and tips related to the EZ1 Bracket installation at: [GrandioGreenhouses.com](http://GrandioGreenhouses.com) or call: 1-866-448-8231