


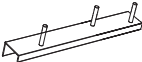


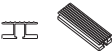






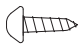

GRANDIO®

G R E E N H O U S E S

GRANDIO ELITE ADDITIONAL ROOF VENT KIT FOR NEW AND EXISTING GREENHOUSE CUSTOMERS

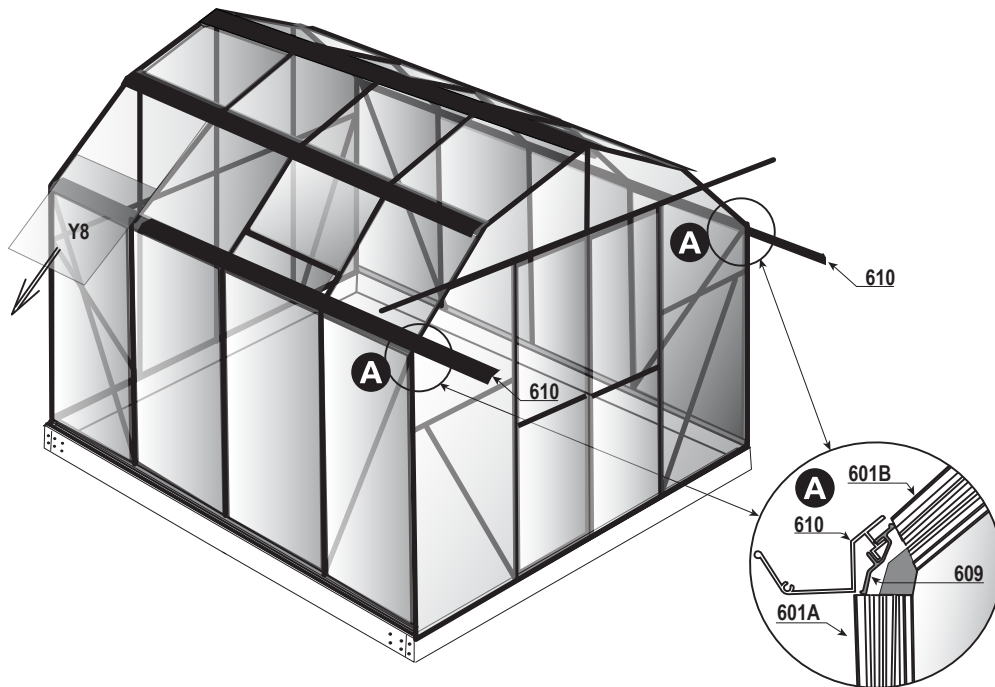
(GRA-ELI-VENT) ELITE ROOF VENT PACKING LIST

GRAPHIC	PART NAME	SIZE/LOCATION	QUANTITY
	HQC01	ROOF VENT ARM	1
	HQC02	ROOF VENT LATCH	1
	Z04, AFS610/SQ-NUT	ROOF VENT HARDWARE	2 EACH
	AFS610/SQ-NUT	COMBOS FOR 603C/W04	8
	603C	21 7/8 in / 555 mm	1

GRAPHIC	PART NAME	SIZE/LOCATION	QUANTITY
	615	22 3/4 in / 578 mm	1
	616	22 3/4 in / 578 mm	1
	618	19 11/16 in / 500 mm	2
	WN04	CONNECTOR FOR 603	2
	Z02	SCREWS FOR ROOF VENT	5
	ALLEN WRENCH	4MM ALLEN WRENCH	1

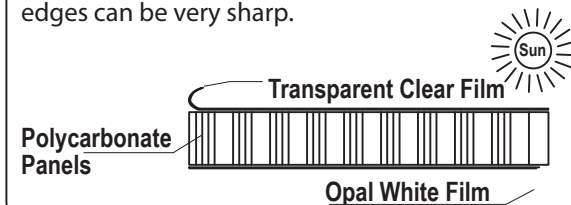
REMOVING GUTTERS AND Y8 PANELS

1.3 Slide **610** out of **609's** groove only as many panel sections as you need to access your preferred placement, as shown in diagram **A**. Window positions are your discretion however, must be in the middle for support, do not place right next to an existing roof vent, also do not place nearest the front or back as you will need a **602B** support to keep in window vent in place. Remove all **Y8** panels that you need to get to the area you are going to replace with a roof vent. Repeat on other side if you have multiple vents you are going to install. Be sure to mark all panels you remove with an "X" to identify which side should face the sun to be sure the correct side faces the sun.



⚠ IMPORTANT: POLYCARBONATE PANELS ⚠

The UV-Protected side is covered with clear film and must face toward the sun. The side covered in white film will always face the interior of the greenhouse. We suggest you peel all film off completely prior to assembly and use a permanent marker to place a small "X" on the lower right corner of each panel on the clear side that faces the sun, each panel has a sticker labeling the panel number and this side always faces the sun or outward as well. **DO NOT REMOVE LABELS UNTIL YOU INSTALL PANELS.** The "X" is suggested in case you dis-assemble your greenhouse in the future so you may identify which side has the UV coating. Always use gloves when handling the polycarbonate panels as the edges can be very sharp.

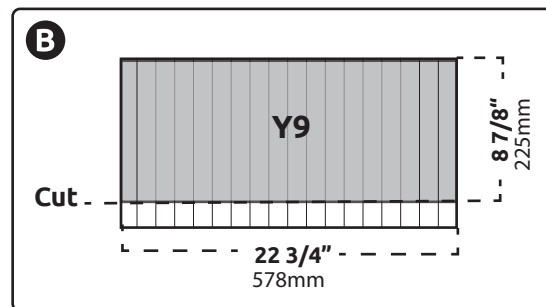
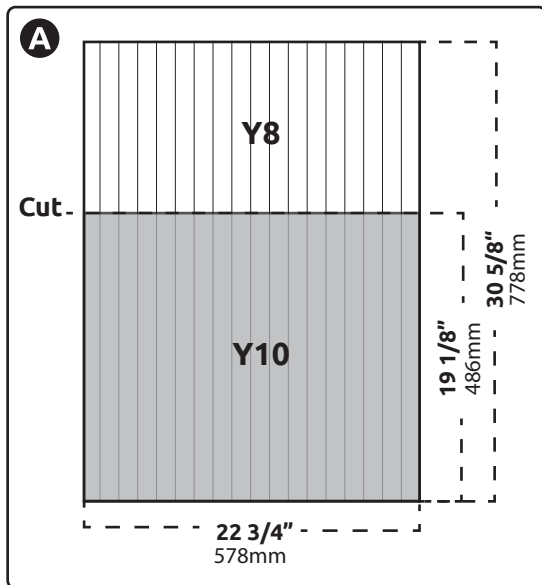


ROOF VENT ASSEMBLY

1.4 Locate your **Y8 Panel** from your original greenhouse or in the panel box if just beginning building now. You will need a utility knife, straight edge ruler or square, a tape measure and a permanent marker for the next steps. You will need to mark a small "X" on the side of the panel that should face outwards to the sun.

1.5 You will need to cut **(1)** of the **Y8 Panels** which measures **22 3/4" x 30 5/8"** to the dimensions of a **Y10 Roof Vent Panel** which is **22 3/4" x 19 1/8"**. See **(A)**.

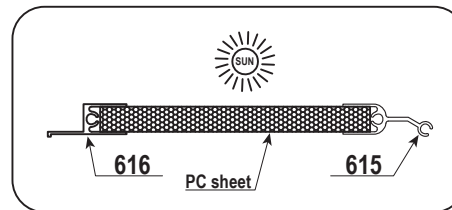
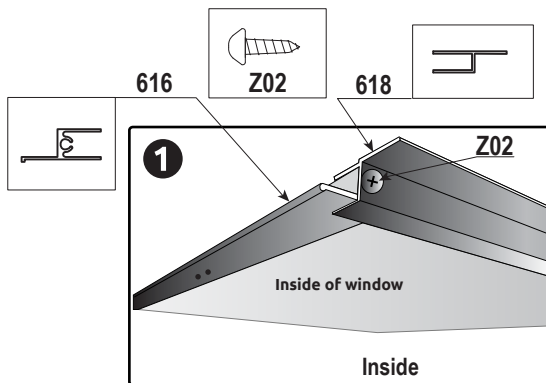
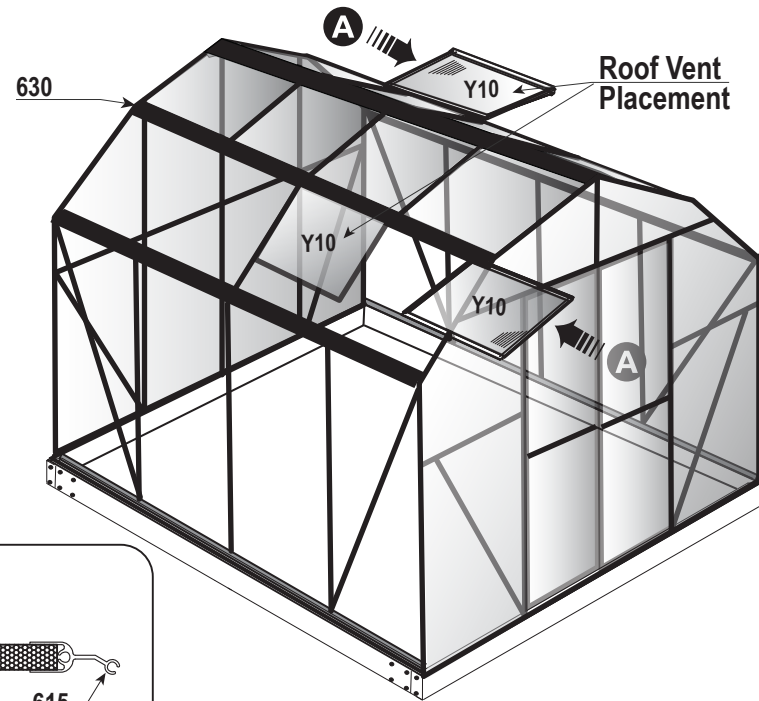
1.6 You will need to cut what is left over of the **Y8 Panel** which should measure **22 3/4" x 11 1/2"** to the dimensions of a **Y9 Under Roof Vent Panel** which is **22 3/4" x 8 7/8"**. See **(B)**.



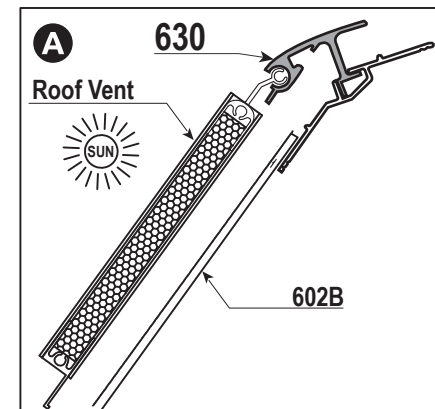
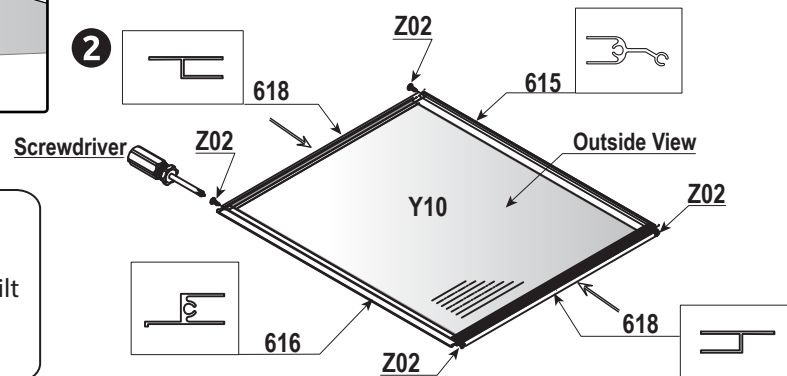
ROOF VENT ASSEMBLY & INSTALLATION

1.7 Assemble the roof window vents as shown below in **1** and **2**, using the **Z02** screws attach the **615**, **616**, and **618's** with the **Y10** panel as shown, be careful not to strip the screw heads. Pay attention to the **Y10** panel, as the stickers or "X" must face the sun, if you are a first time builder refer to your assembly manual for installation and discard this manual, proceed with this manual for existing greenhouse users.

1.8 Insert assembled window into the end of the ridge of **630** and slide into position. See **A**. Window positions are your discretion however, must be in the middle for support, do not place nearest the front or back as you will need a **602B** support to keep in window vent in place. Place directly across from each other for best cross draft ventilation, see **A** for optional placement. You may have to loosen **602B's** temporarily to slide vents into place.



Note Correct Orientation



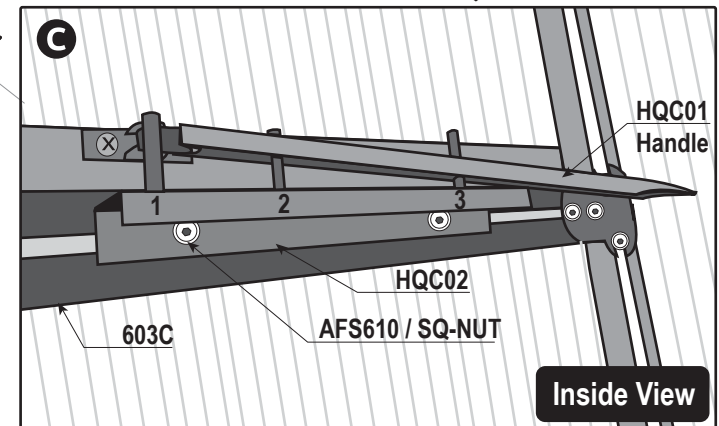
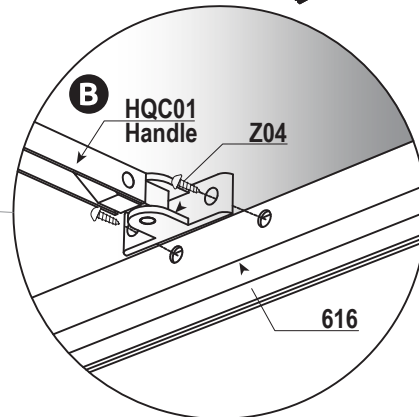
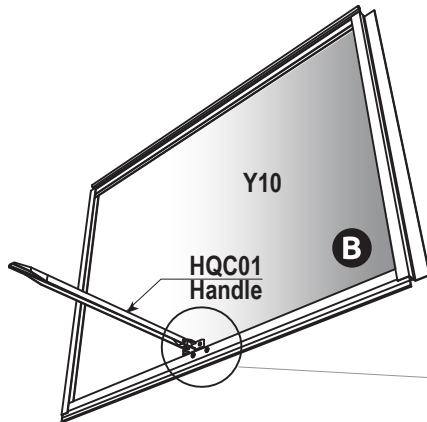
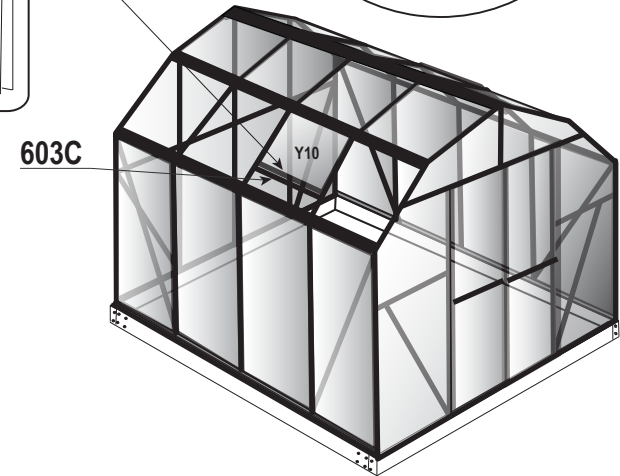
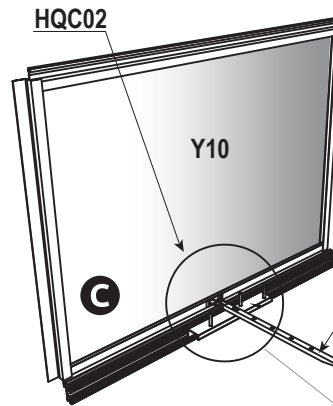
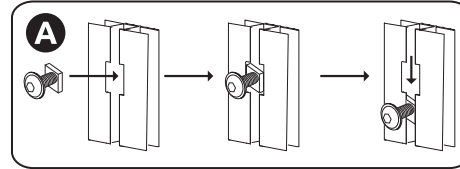
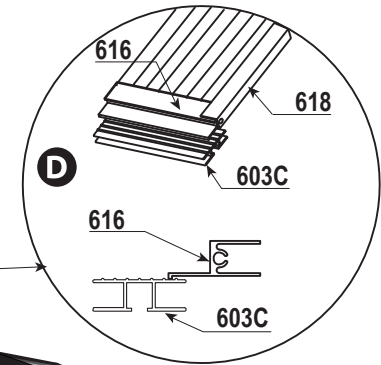
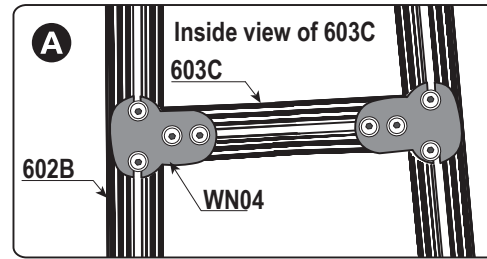
GRANDIO TIP Place roof windows in desired location before attaching all **602B's**, if already partially built you will need to loosen and re attach after installation.

ROOF VENT ASSEMBLY & INSTALLATION

1.9 To ensure there is no gap in roof vent position **603C** as shown in **D**. Connect **603C** to middle of **602B's** using **WN04** bracket as shown in **A** with the **AFS610/SQ-NUT** (nuts and bolts), tighten with the **ALLEN WRENCH**.

1.10 Attach **HQC01** to **616** with the **Z04** screws see **B**, close roof vent and attach the handle onto **HQC02** middle pin (the first two holes of the handle to the second and third pins of **HQC02**). Then attach **HQC02** into **603C's** track with **AS610/SQ-NUT** (nuts and bolts), see **C**.

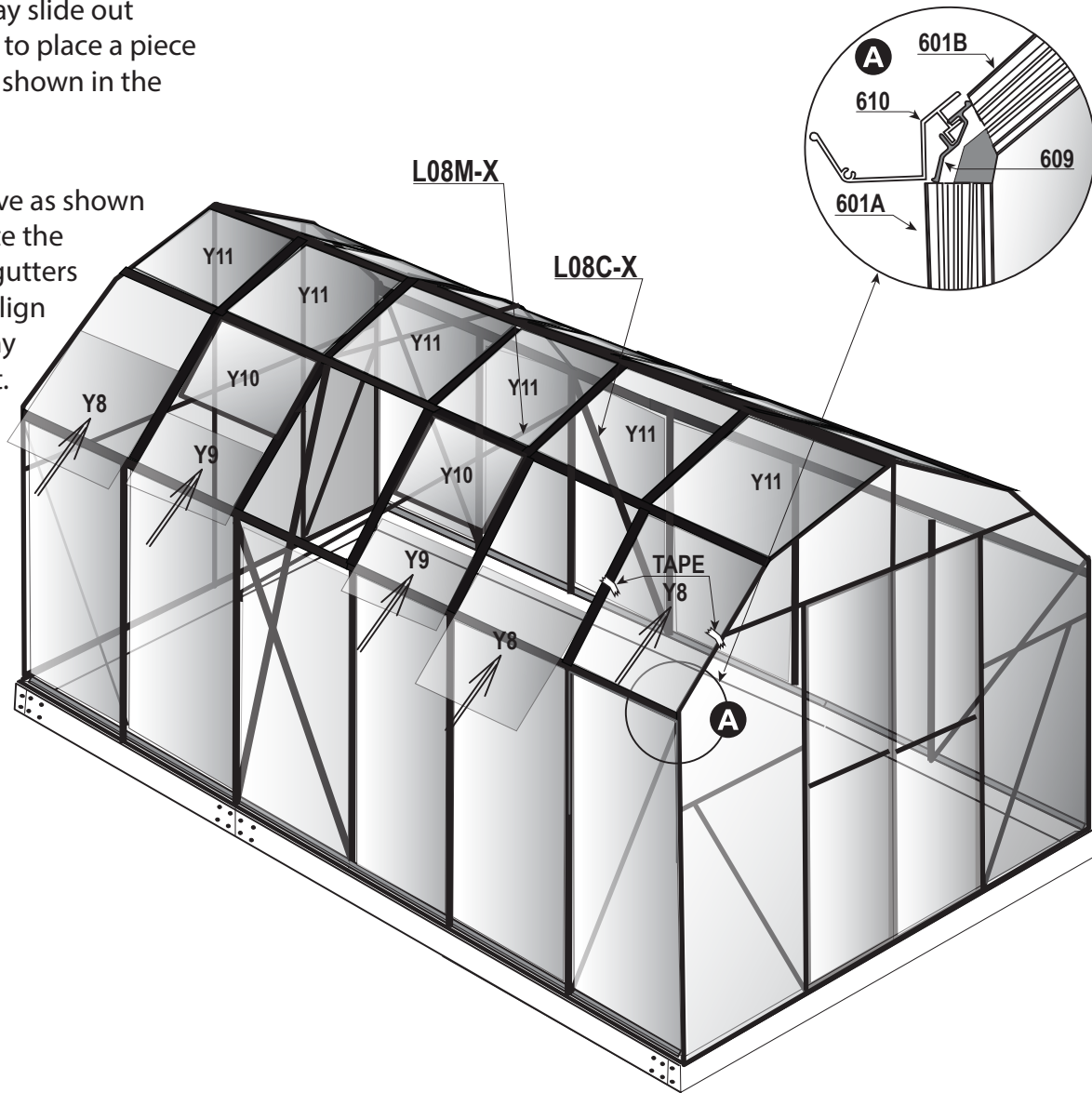
Note: If you are installing automatic roof vent openers follow those directions for correct installation. **SAVE MANUAL HARDWARE FOR WINTER SWITCHOUT.**



ROOF VENT ASSEMBLY & INSTALLATION

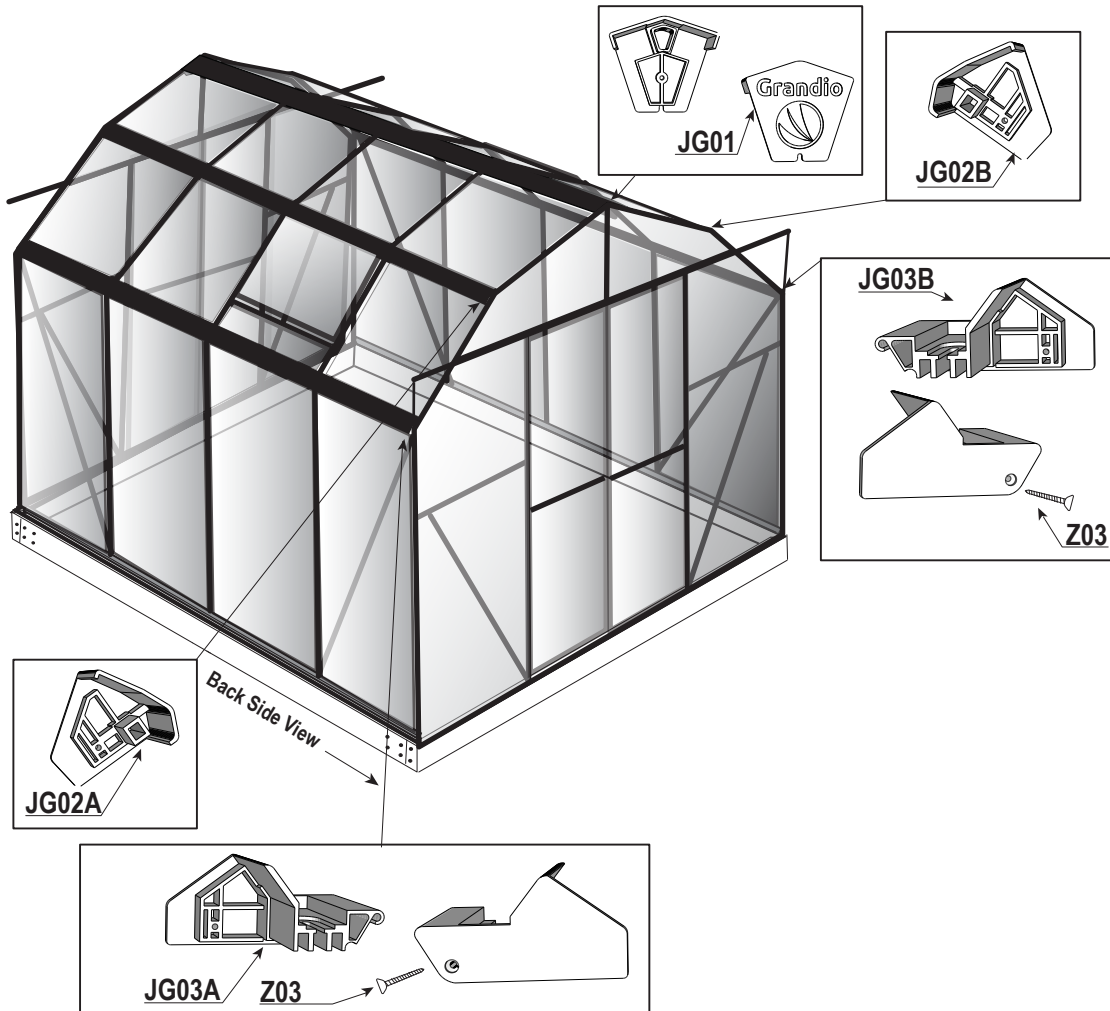
1.11 Insert polycarbonate sheets **Y8's** and **Y9's** into the lower roof of your greenhouse. Panels may slide out before gutters are in place. You may want to place a piece of tape on the panel to prevent sliding as shown in the diagram once the panels are in place.

1.12 Slide **610 Gutters** into **609's** groove as shown in diagram **A**. Repeat on both sides. Note the orientation of the gutters, the extension gutters will be at the back and the holes should align with gutter down spout hole. Reattach any other elements you may have taken apart.



END CAP INSTALLATION

1.13 Attach **JG01**, **JG02A**, **JG02B**, **JG03A** and **JG03B** end caps to the ridge, midroof and gutters on both front and back as shown below. Use **Z03** screws to attach the **JG03A** and **JG03B** endcaps along with the silicone adhesive. Use **Z06** screws to fasten end caps through the **WG01** and **WG02** as shown in images. Note you may want to seal into place with silicone caulk on the inner side and around the edges. Repeat on other end of the greenhouse. Reattach the **L28** brackets.



Exterior view of mid roof cap JG01.



Interior greenhouse view of mid roof cap, where Z06 screw goes through WG01 mid hole into the end cap.



Z06