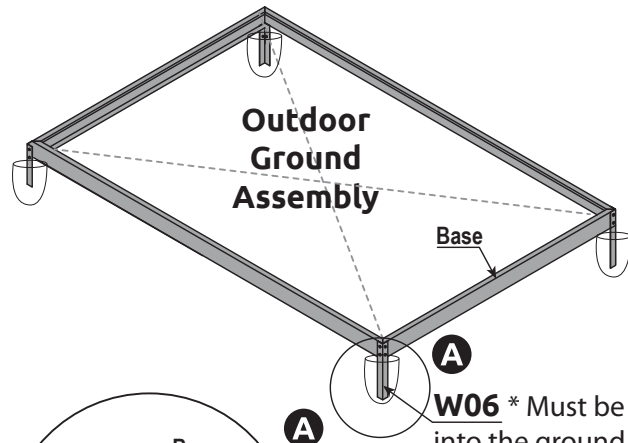


8x8 BASE KIT ASSEMBLY INSTRUCTIONS

****BASE MUST BE LEVEL & SQUARE, FOUNDATION MUST BE PROPERLY ANCHORED PRIOR TO GREENHOUSE ASSEMBLY**

A W06 must be buried in ground.



A **W06** * Must be inserted into the ground, and secured with concrete.

Use: Quikrete fast setting concrete to anchor base. Pour in Quikrete and water no mixing required. (Not Included).

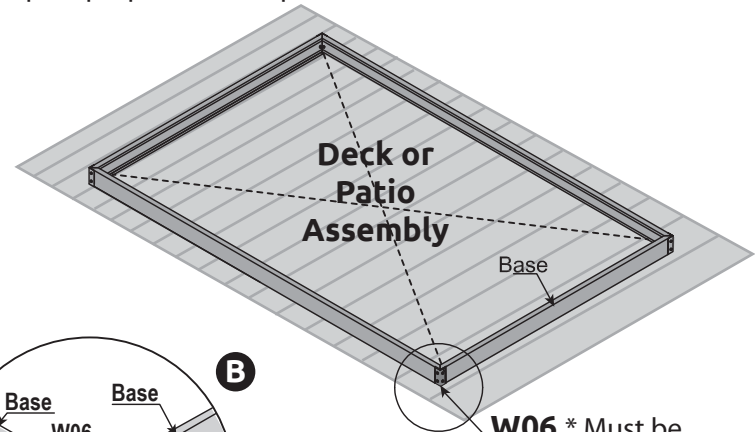


GRANDIO TIP Make sure base is squared and level before setting anchor into concrete. Use a measuring tape to ensure all corners are the same. Use level on all four sides.

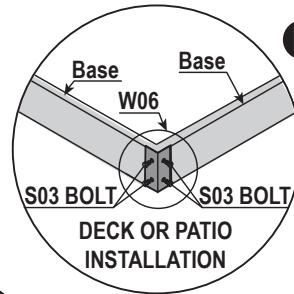
OR

B W06 must be cut for patio or deck installation

Drill holes in bottom of base to allow for proper fastener to pass through prior to moving forward with assembly. You determine and acquire proper fastener prior to installation.

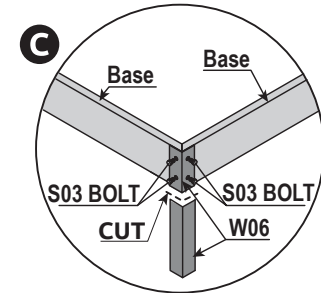


B **W06** * Must be cut flush with frame. Use decking screws or concrete anchors to attach base. (Fasteners not included).



C W06 Must Be Modified

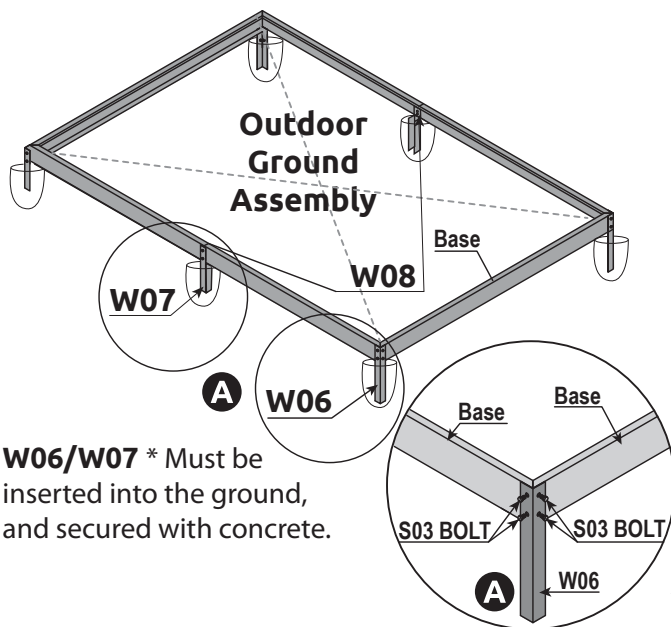
Use a Hacksaw or Tinsnip to cut down the length of **W06**, then install cut side down to level surface.



8x12 BASE KIT ASSEMBLY INSTRUCTIONS

****BASE MUST BE LEVEL & SQUARE, FOUNDATION MUST BE PROPERLY ANCHORED PRIOR TO GREENHOUSE ASSEMBLY**

A W06 must be buried in ground.



W06/W07 * Must be inserted into the ground, and secured with concrete.



Use: Quikrete fast setting concrete to anchor base. Pour in Quikrete and water no mixing required. (Not Included).

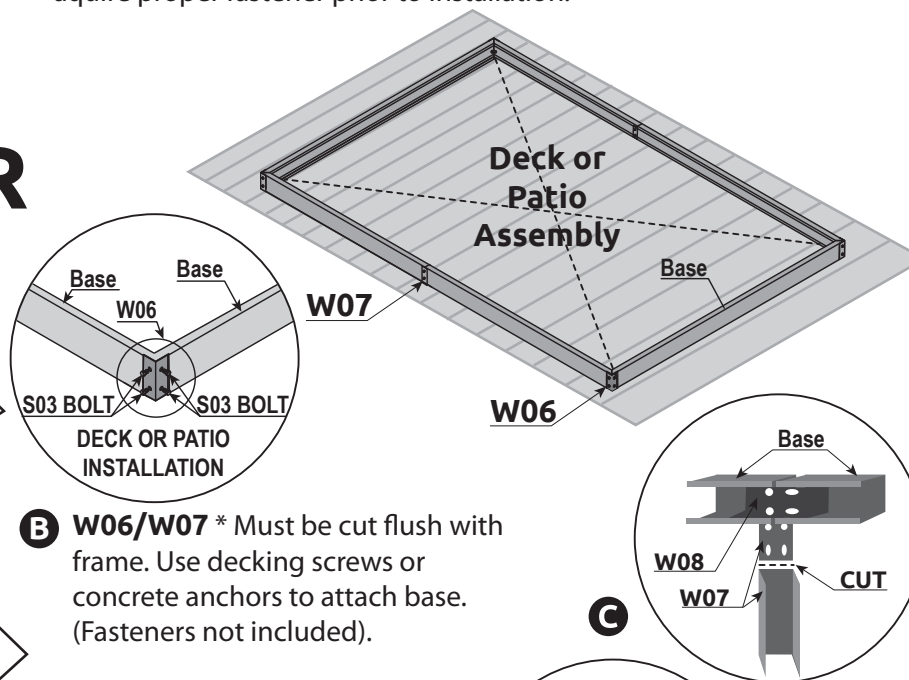


GRANDIO TIP Make sure base is squared and level before setting anchor into concrete. Use a measuring tape to ensure all corners are the same. Use level on all four sides.

OR

B W06/W07 must be cut for patio or deck installation

Drill holes in bottom of base to allow for proper fastener to pass through prior to moving forward with assembly. You determine and acquire proper fastener prior to installation.



B W06/W07 * Must be cut flush with frame. Use decking screws or concrete anchors to attach base. (Fasteners not included).

C W06/W07 Must Be Modified

Use a Hacksaw or Tinsnip to cut down the length of **W06** and **W07**, then install cut side down to level surface.

