



GRANDIO[®]











G R E E N H O U S E S

Grandio Auto Roof Window Vent Opener Installation Instructions

Please Note:

1. Place the cylinder in a cool place for at least 30 minutes at a maximum temperature of 50° F or 10° C, in cold water or in a refrigerator. This will make the piston retract into the cylinder.
2. Your automatic vent control is not to be used where temperatures will exceed 50° C or 122° F.
3. Ensure that your greenhouse window is able to open and is not obstructed to prevent damage.
4. Maximum window opening approximately 45 cm or 18 inches.
5. Maximum opening temperature at 30° C or 86° F depending on adjustment and load.
6. Opener is suitable for vents weighing up to 7 kg or 15 lb.

PARTS LIST

| | | |
|---------------------|---|---|
| 1. CYLINDER |  | 1 |
| 2. CYLINDER HOUSING | | 1 |
| 3. PISTON ROD | | 1 |
| 4. CLUTCH T | | 1 |
| 5. HAIR PIN |  | 1 |
| 6. STOP PIN |  | 1 |
| 7. ARM B | | 1 |
| 8. ARM A | | 1 |
| 9. FRAME BRACKET |  | 1 |
| 10. WINDOW BRACKET | | 1 |
| 11. CLAMPS |  | 2 |
| 12. SCREW 4*16 |  | 4 |
| 13. SCREW M4*12 |  | 4 |
| 14. AFS610 |  | 2 |
| 15. SQ-NUT |  | 2 |
| 16. ALLEN WRENCH |  | 1 |

Maintenance:

Lubricate all movable parts with a light oil after fitting, each spring and as required during the summer. Apply petroleum jelly or grease to the cylinder thread occasionally.

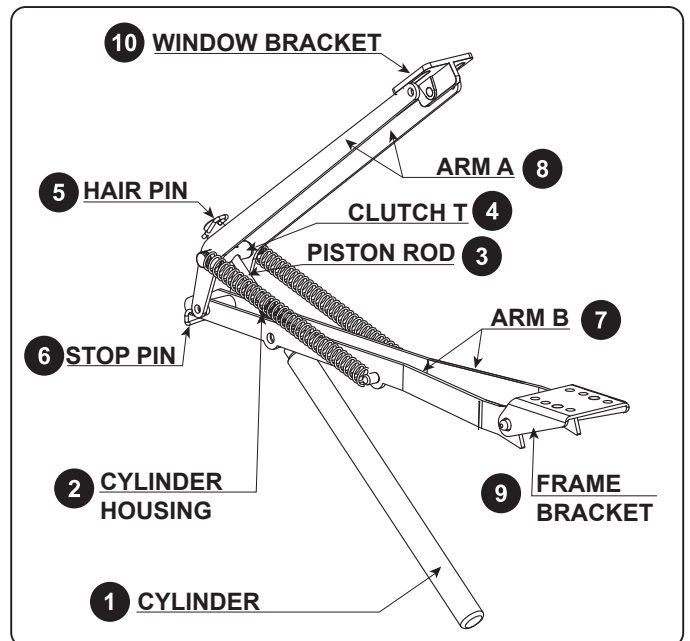
Guarantee:

A correctly fitted and used UNIVENT is guaranteed for 1 year provided that it has been fitted and maintained in accordance with the instructions.

Winter Storage:

It is recommended that your UNIVENT or at least the cylinder is removed from your greenhouse for the winter. Store it in a dry place and do not forget to lubricate particularly the piston rod before remounting in the spring. Check that the piston rod moves smoothly.

AUTO OPENER DIAGRAM



1. There are pre drilled holes on the frame of all Grandio Greenhouse window vents for the auto opener window bracket to attach. See **A**. Use the **Z02** screws to attach the window bracket to the **616** frame of your Grandio.

2. Apply gentle pressure by pinching the two pieces labeled **Arm B** to release the **Frame Bracket**. Prethread the **AFS610/SQ-NUT** combo into the larger set of holes. Insert the **SQ-NUT** into the **ELI-603C** or **ASC-603B** track and slide into place to align with the window bracket, tighten the combos. It will be easiest to keep the **Arm B** free from the frame bracket through installation. See **B**.

3. Push the **Piston Rod** through the **Cylinder** housing into the **Clutch T**. The hole in the **Piston Rod** should be placed in line with hole **(a)** in the **Clutch T**, see **C** and **D**. The **Hair Pin** will slide into place as shown.

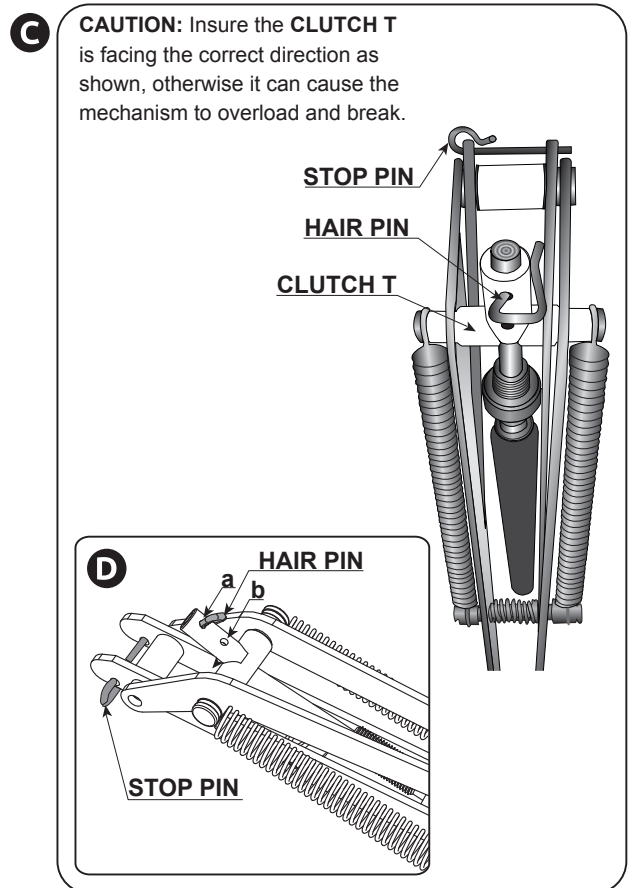
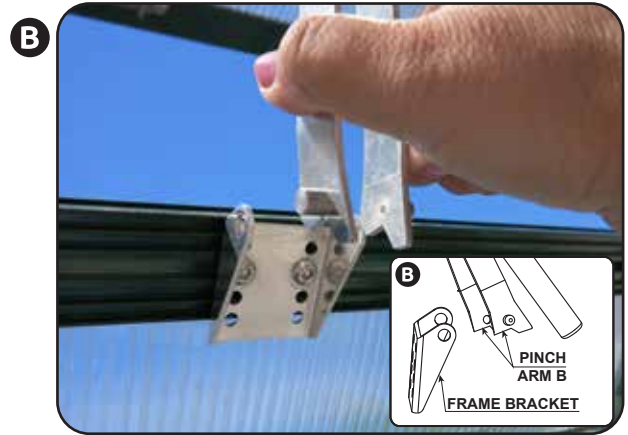
Important

Do not fit the **Stop Pin** unless the **Hair Pin** has been inserted into hole **(a)**. See **D**.
 Open the window sufficiently to allow you to screw the cylinder into the cylinder housing. Screw in the cylinder until the thread is equal length on both sides of the housing and then release the window. Reattach **Arm B** to the **Frame Bracket**.

Adjustment

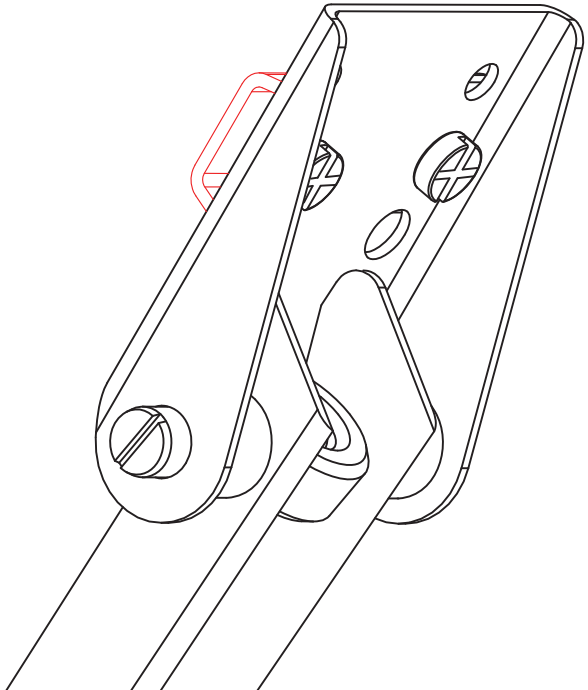
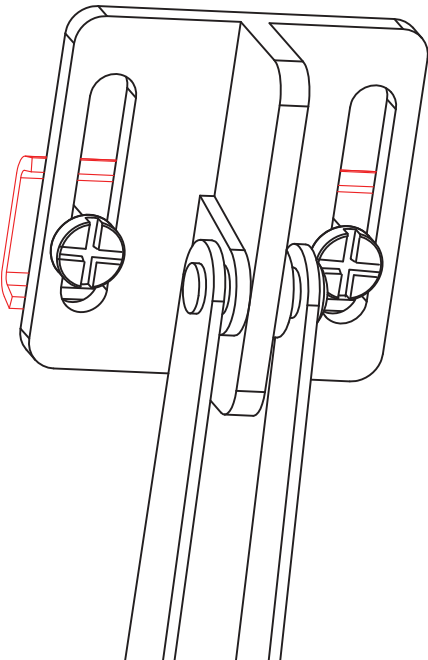
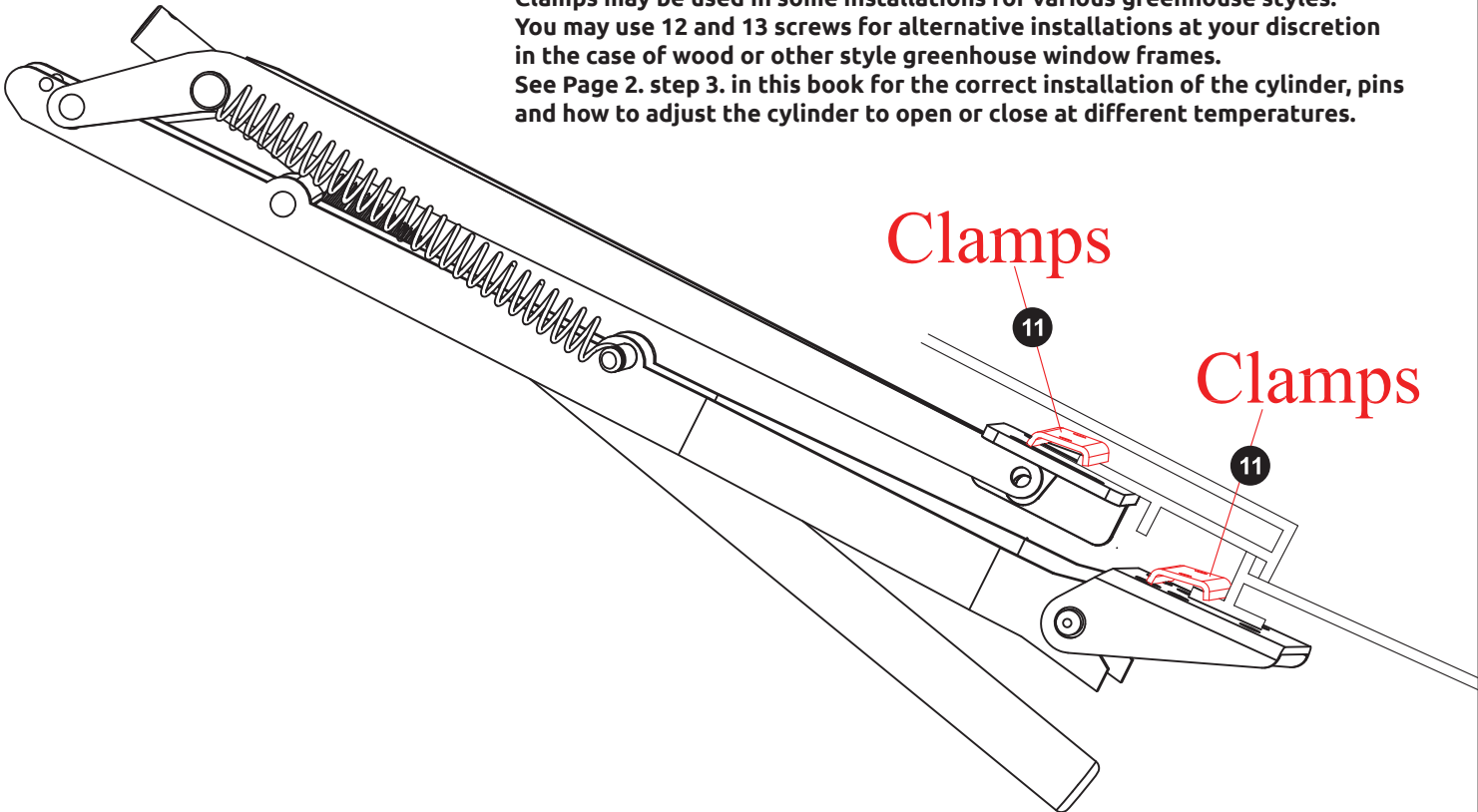
It is recommended that the auto opener be adjusted when the temperature in the greenhouse is constant. It takes some time for the opener to respond to the changed temperature. If you would like the opener to start opening the window at another temperature you will need to turn the cylinder:

Clockwise: for lower opening temperature
Counter Clockwise: for a higher opening temperature
 One turn corresponds to approximately 1° F or .5° C in temperature. You should not overlook the fact that the temperature might vary in the same greenhouse from window to window.



Auto Roof Window Vent Opener Installed in a Grandio Ascent Greenhouse.

Clamps may be used in some installations for various greenhouse styles. You may use 12 and 13 screws for alternative installations at your discretion in the case of wood or other style greenhouse window frames. See Page 2, step 3, in this book for the correct installation of the cylinder, pins and how to adjust the cylinder to open or close at different temperatures.





GRANDIO[®]
G R E E N H O U S E S

Grandio Auto Roof Window Vent Openers

CONTACT US IF YOU NEED HELP
OR
HAVE MISSING OR DAMAGED PARTS

GRANDIOGREENHOUSES.COM

**BACKYARD LIVING SOURCE, INC.
9543 W. EMERALD ST., SUITE 101
BOISE, ID 83704
1-866-448-8231**